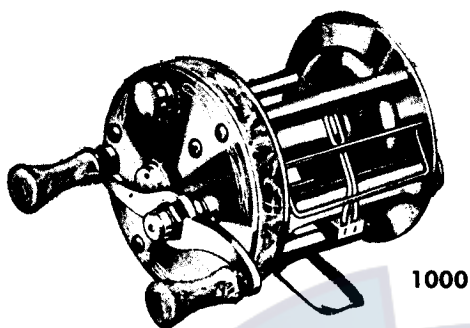
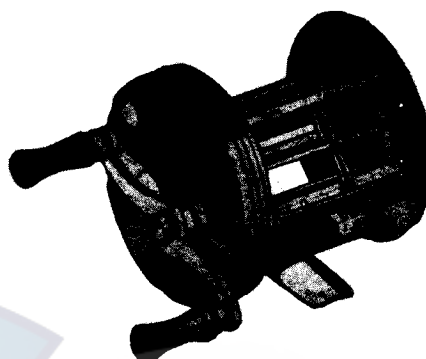


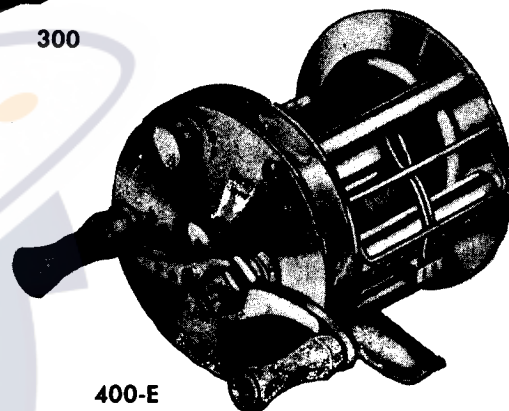
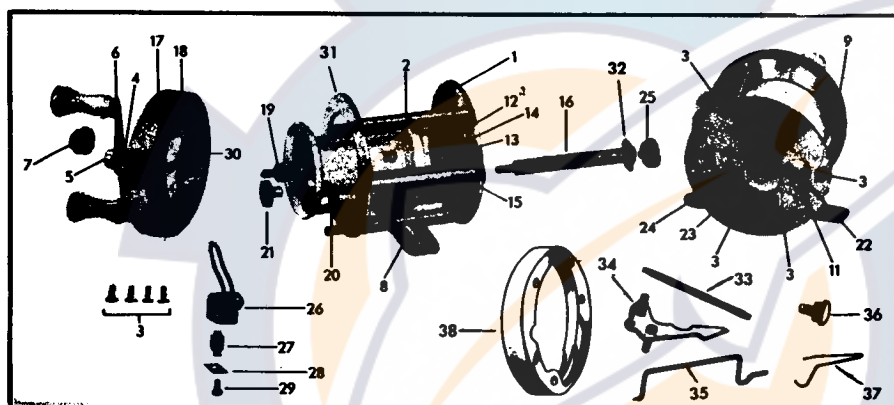
A. B. L. BAIT CAST REELS



1000



300



400-E

| Diagram No. | Part Name | Reel 300 | | Reel 400-E | | Reel 1000 | |
|-------------|--|----------|----------------------|------------|---------------------|-----------|--------|
| | | Part No. | Price | Part No. | Price | Part No. | Price |
| 1 | Tail Plate Assembly | RB-36 | \$.85 | RB-36 | \$.85 | RD-36 | \$1.15 |
| 2 | Top Pillar | R-33 | .20 | R-33 | .20 | RA-33 | .35 |
| 3 | Pillar Screws | R-18 | B840K .03 | R-18 | .03 | R-18 | .03 |
| 4 | Gear Stem Bearing | RA-27 | B514N .15 | RA-27 | .15 | RC-27 | .20 |
| 5 | Crank Nut | R-11 | B511K .20 | R-11 | .20 | RC-11 | .35 |
| 6 | Crank Assembly | RB-12 | .90 | RC-12 | 1.10 | RN-12 | 1.15 |
| 7 | Head Spool Cap | RE-20 | .30 | RE-20 | .30 | R-20L | .60 |
| 8 | Rod Clip | RB-31 | .60 | RB-31 | .60 | RC-31 | .85 |
| 9 | Side Pillar | R-32 | .15 | R-32 | .15 | RA-32 | .30 |
| 10 | Spool Assembly | R-19B | 1.60 | R-19B | 1.60 | RA-19 | 2.50 |
| 11 | Click Button Stem | RA-26 | E698 .02 | RA-26 | .02 | RA-26 | .02 |
| 12 | Click Pawl | R-9 | E340 .05 | R-9 | .05 | R-9 | .05 |
| 13 | Click Spring | R-10 | PB247 .10 | R-10 | .10 | RB-10 | .10 |
| 14 | Spool Bushing Holder | R-35 | B691 .10 | R-35 | .10 | R-35 | .10 |
| 15 | Line Protector | RA-21 | B813K .20 | RA-21 | .20 | R-21 | .20 |
| 16 | Line Carriage Screw | RC-7 | B1910K .40 | RC-7 | .40 | RJ-7 | .55 |
| 17 | Drive Gear | R-16 | B1962 2.5 | R-16 | .25 | RL-15 | 1.00 |
| 18 | Head Plate (Outside Assembly) | RB-28 | (Without Stem) 1.70 | RC-28 | (Without Stem) 1.45 | RE-28 | 1.90 |
| 19 | Spool Pinion | RA-17 | (Head Cap) E1937 .30 | RA-17 | .30 | RA-17 | .30 |
| 20 | Spool Arbor | | | RA-34 | .40 | | |
| 21 | Carriage Screw Pinion | R-8 | B564 .10 | R-8 | .10 | RD-8 | .45 |
| 22 | Click Button | R-37 | B708K .10 | R-37 | .10 | R-37 | .10 |
| 23 | Tail Spool Cap (Speed Control Knob) | R-20T | .25 | R-20T | .25 | RA-20L | .65 |
| 24 | Click Spring Rivet | CB-43 | .03 | CB-43 | .03 | CB-43 | .03 |
| 25 | Carriage Screw Bushing Cap | | | | | RA-25 | .45 |
| 26 | Line Carriage | RC-3 | .35 | RC-3 | .35 | RD-3 | .55 |
| 27 | Carriage Pawl | R-4 | E2551CA .15 | R-4 | .15 | R-4 | .15 |
| 28 | Carriage Pawl Retainer | R-5 | B1022K .05 | R-5 | .05 | R-5 | .05 |
| 29 | Carriage Pawl Retainer Screw | R-6 | B1012K .03 | R-6 | .03 | R-6 | .03 |
| 30 | Gear Bridge | | | | | RA-22 | .70 |
| 31 | Head Ring Assembly (With Rod Clip and Pillars) | RB-29 | 2.85 | RC-29 | 2.85 | RE-29 | 2.15 |
| 32 | Carriage Screw Tail Bushing | | | | | R-24 | .20 |
| 33 | Bail Wire Pillar | R-23 | .15 | R-23 | .15 | RA-23 | .15 |
| 34 | Drag Lever | R-14 | .25 | R-14 | .25 | RB-14 | .30 |
| 35 | Bail Wire | R-1 | .10 | R-1 | .10 | RA-1 | .10 |
| 36 | Drag Adjusting Nut | R-38 | .35 | R-38 | .35 | RA-38 | .45 |
| 37 | Drag Spring | R-13 | .05 | RA-13 | .05 | RA-13 | .05 |
| 38 | Plastic Head Ring | | | R-30 | .75 | RA-30 | .75 |

IMPORTANT: There are many models of South Bend bait casting reels now in use, e.g. 1000 A, 1000 B, 15 A, B and C, etc. As many of the parts are not interchangeable, it is of the utmost importance that the REEL MODEL NUMBER be included when ordering parts.

DISASSEMBLY: Three-piece take-down construction makes disassembly and reassembly simple. Removal of the four Pillar Screws (3) located around the outer edge of the Head Cap (crank side of reel) makes all assemblies accessible.

The Pawl (27) can be withdrawn from the Line Carriage (26) by removing the Screw (29) and Retainer (28) on the bottom of the Line Carriage.

Numbers shown in red common to both South Bend and Shakespeare.

NOTE: When ordering parts, give reel part name, reel number and model.